



MAZDA2

*We explore cities and winding country roads.
Corners hugged and throttles revved.
Windows down, radio loud, no particular place to go.
Always forward, defying the wind.
I am the embodiment of Jinba Ittai.
You, the heart behind the wheel.
We were always meant to connect,
like a horse and rider,
car and driver as one.
Together, we are stronger.
We have a bond that words alone cannot describe.*

*We never drive alone.
We drive together.*





MODEL SHOWN IS MAZDA2 90PS SPORT NAV+ WITH OPTIONAL SOUL RED CRYSTAL METALLIC PAINT AND ACCESSORY BRILLIANT BLACK REAR ROOF SPOILER AVAILABLE AT ADDITIONAL COST.



MODEL SHOWN IS MAZDA2 90PS GT SPORT NAV+ WITH OPTIONAL DYNAMIC BLUE MICA PAINT AND ACCESSORY BRILLIANT BLACK REAR ROOF SPOILER AVAILABLE AT ADDITIONAL COST.





AWAKEN THE DRIVER IN YOU

Responsive and fun to drive, Mazda2 gives you the unique feeling of togetherness with the car we call Jinba Ittai. Its design bursts with energy, character and vitality, while the impressive performance of the next-generation Skyactiv Technology, and the advanced in-car technology deliver a one of a kind driving experience.

This is the Mazda way.



Download
DRIVE TOGETHER APP



Scan Pages
CONTAINING THE MOBILE ICON



Explore
DIGITAL CONTENT

Enjoy Mazda's new DriveTogether App and get extra information on how our latest features can make your driving experience more enjoyable. All you have to do is download our Drive Together app on the AppStore or Google play. Look out for the mobile phone icon inside this brochure and scan it using the Drive Together app.

DESIGN



Model shown features Accessory Brilliant Black rear roof spoiler available at additional cost.



GRAB THE WHEEL

From its looks to its performance, the Mazda2 was built to be enjoyed.

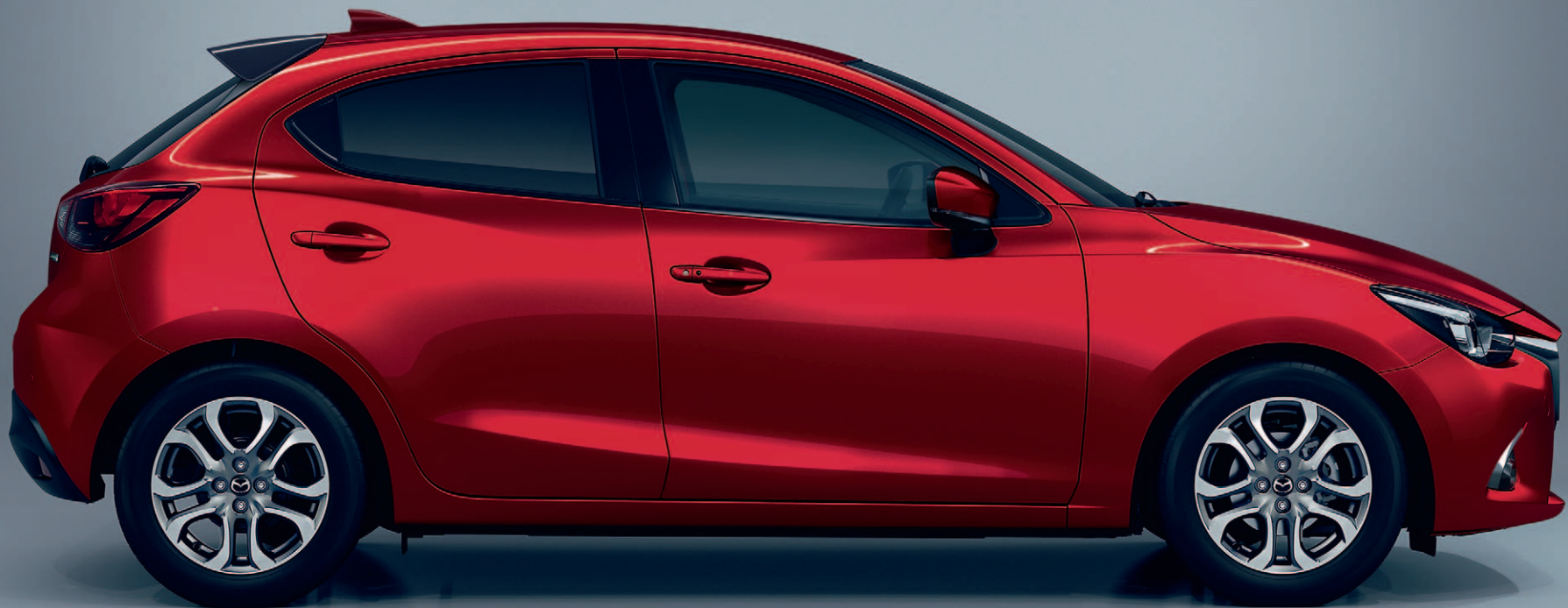
As a perfect expression of the award-winning Kodo - Soul of Motion design, the Mazda2 has a solid stance, muscular lines and a look of forward momentum.

The mix of the human-centric designed interior and high-quality finishes is an expression of pure comfort. The craft of Takumi-Nuri, Mazda's high-quality painting technology, gives the impression of a hand-painted concept car.

This enables exceptional vividness and depth to be achieved in the signature Soul Red Crystal Metallic and Machine Grey Metallic paint options. The attention to the tiniest detail in both design and craft deepens the bond between car and driver.



MODEL SHOWN IS MAZDA2 90PS GT SPORT NAV+ WITH OPTIONAL SOUL RED CRYSTAL METALLIC PAINT AND ACCESSORY BRILLIANT BLACK REAR ROOF SPOILER AVAILABLE AT ADDITIONAL COST.



MODEL SHOWN IS MAZDA2 115PS GT SPORT NAV+ WITH OPTIONAL SOUL RED CRYSTAL METALLIC PAINT AND ACCESSORY BRILLIANT BLACK REAR ROOF SPOILER AVAILABLE AT ADDITIONAL COST.

A TRUE DRIVING EXPERIENCE

Mazda2 is the proof that small cars can be full of surprises too. From the first ride, its responsiveness and fun-to-drive feeling makes this car feel like an extension of your body. Its overall striking elegance forms a perfect combination with advanced technology and in-car connectivity, along with the impressive performance of a fuel-efficient engine.



SHARK FIN ANTENNA (model shown features accessory brilliant black rear roof spoiler available at additional cost).



FRONT GRILLE WITH GLOSS BLACK & GREY COLOUR ACCENT



LED FRONT FOG LIGHTS



MODEL SHOWN IS MAZDA2 115PS GT SPORT NAV+ WITH OPTIONAL MACHINE GREY METALLIC PAINT AND ACCESSORY BRILLIANT BLACK REAR ROOF SPOILER AVAILABLE AT ADDITIONAL COST



7" COLOUR TOUCH-SCREEN DISPLAY (Not available on 75ps SE+ and 75ps SE-L+ models)



DRIVER CENTRIC COCKPIT



HEATED, AUTO POWER-FOLDING DOOR MIRRORS WITH INTEGRATED INDICATORS

TECHNOLOGY



TRIP
A



↑ 800ft
25 mph

mph ← km/h



TRIP 0.0

23 °C

472 miles



180 miles

25 mph

BE IN CHARGE

Connectivity is key in Mazda2 and via a compatible mobile device, you can access thousands of internet radio stations from around the world, safely check and reply to text messages, and even keep up-to-date with Facebook® and Twitter®*. Enjoy listening to your favourite radio stations via DAB radio or stream your choice of music via Bluetooth® connection*. All safely controlled using the 7" colour touch-screen display and the intuitive Multimedia Commander.

*With compatible mobile device. Data usage and costs will vary.
Please refer to footnote underneath the Audio and Communication specification table.





Multimedia Commander

The Multimedia Commander lets you control infotainment, navigation and more with one-touch rotary, push and tilt commands (not available on 75ps SE+ and 75ps SE-L+ models).



Climate Control Air-Conditioning

Provides a comfortable driving environment with stylish satin chrome dial trim (not available on 75ps SE+ models).



7" Colour Touch-Screen Display

A large 7" colour touch-screen display coupled with the intuitive Multimedia Commander, provides you with safe and easy fingertip access to all vehicle information, settings, navigation and entertainment. (Not available on 75ps SE+ and 75ps SE-L+ models)



Engine Start / Stop Button

Allows you to conveniently start or stop the engine without having to insert the key.

SKYACTIV TECHNOLOGY

Skyactiv Technology is all about making driving more fun, embracing all elements – engines, transmissions, chassis and body. It's an approach that completely re-imagines the car from the ground up. The Mazda2's light, rigid body coupled with the Skyactiv-Chassis, delivers a smooth ride, coupled with fantastic responsiveness, excellent torque and impressive power - all balanced by low CO₂ emissions and excellent fuel economy. We work hard to ensure there is zero compromise when it comes to Mazda's unique fun-to-drive feeling.



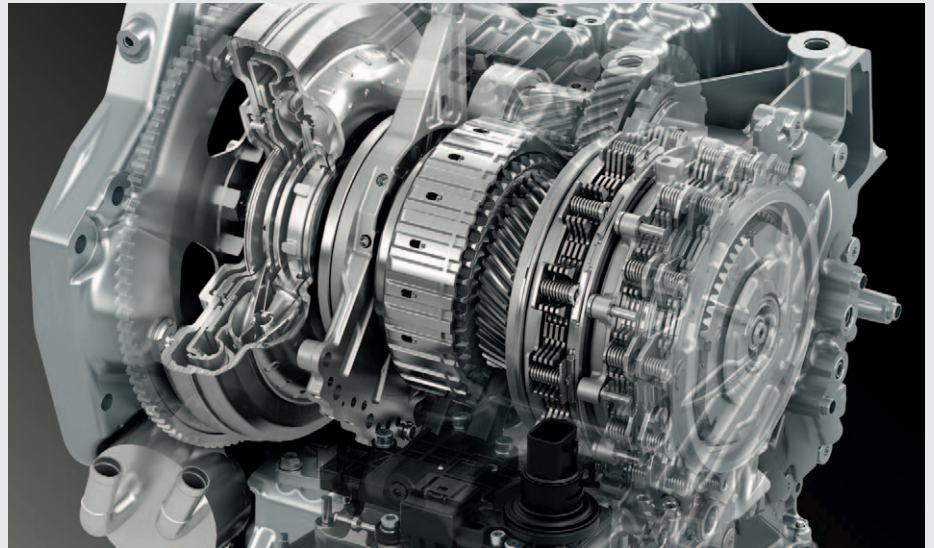
SKYACTIV BODY AND CHASSIS Rigid and lightweight, perfectly balanced and finely tuned – it's the fun-to-drive formula for pure exhilaration.

Model shown is Mazda2 115ps GT Sport Nav+ with optional Machine Grey Metallic paint and accessory Brilliant Black rear roof spoiler available at additional cost.



Skyactiv engines

Choose from the Skyactiv-G 75ps, 90ps or 115ps petrol engines, all of which deliver highly competitive fuel economy, low CO₂ emissions and feature Mazda's innovative i-Stop Technology for superior fuel economy.



More power to your wheels

Supporting driving pleasure, the six-speed Skyactiv-Drive automatic transmission responds instantly providing a smooth drive, whilst the five and six-speed Skyactiv-MT manual transmissions offer a crisp and responsive shift reminiscent of the legendary Mazda MX-5.



Precise and comfortable handling

The lightweight Skyactiv-Chassis provides exceptional handling and ride comfort. Coupled with steering which responds predictably to driver input, it delivers that 'fun to drive' element that has come to be expected from every Mazda we build.



When body meets soul

Outstanding crash protection is possible thanks to the Skyactiv-Body which utilises lightweight, high-tensile steel. The lightweight, ultra strong and highly rigid body also contributes to a more rewarding and responsive drive.

IT'S ALL ABOUT THE DRIVER

Mazda2 contains an array of intelligent safety technologies that are designed to help you connect with your car and enjoy the drive. This is thanks to the i-Activsense Technologies, an outstanding collection of safety features that use sensors and cameras to monitor your surroundings providing protection and convenience.





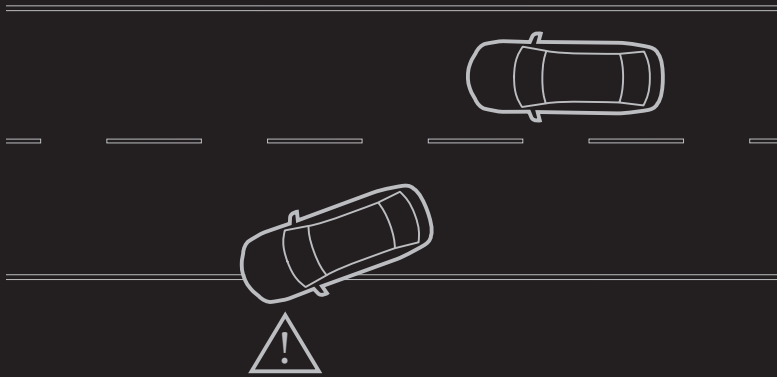
MODEL SHOWN IS MAZDA2 115PS GT SPORT NAV+ WITH OPTIONAL SOUL RED CRYSTAL METALLIC PAINT AND ACCESSORY BRILLIANT BLACK REAR ROOF SPOILER AVAILABLE AT ADDITIONAL COST.

ADVANCED SAFETY TECHNOLOGY

Engineered from the ground up, the Mazda2 provides comprehensive all-round protection for you and your passengers.

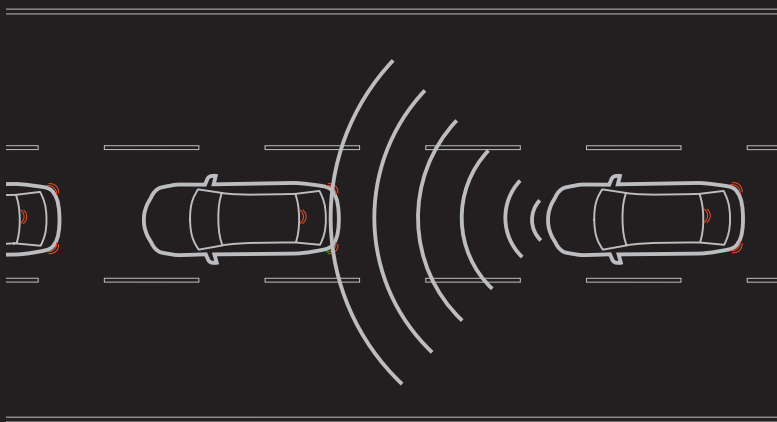
An array of active safety systems work together to warn you of impending dangers, meaning less chance of a collision.

Whilst the front, side and curtain airbags combined with a rigid Skyactiv-Body, provide outstanding crash protection ensuring that you and your passengers remain safe.



Lane Departure Warning System

Mazda's Lane Departure Warning System is designed to prevent your vehicle from inadvertently straying from its lane. A front-view camera monitors the road ahead and calculates the car's position relative to the lane markings. If the system detects the vehicle is moving out of its lane unintentionally, an audible alert will sound. (Not available on 75ps SE+ and 75ps SE-L+ models)



Smart City Brake Support

Designed to make busy city traffic more relaxing for the driver, Mazda's Smart City Brake Support (SCBS) helps to avoid or minimise the risk of low-speed collisions, the most common type of city traffic accidents. The laser-based system monitors the gap and closing speed of the vehicle in front, as well as other detectable objects, automatically applying the brakes if a collision is likely at speeds up to approximately 20mph. (Not available on 75ps SE+ and 75ps SE-L+ models)



CHOICES





SE+

STANDARD FEATURES:

- 15" alloy wheels
- Heated, auto power-folding door mirrors with electrical adjustment and integrated indicator lights
- Engine Start / Stop button
- Halogen headlights with daytime running lights
- Coming home / leaving home lights
- Trip computer
- Black cloth seat trim with grey inserts
- 60:40 split rear seats
- Telescopic and tilt adjustable steering wheel
- Height adjustable drivers seat
- Front and rear electric windows
- Remote central locking
- Manual air-conditioning
- AM / FM radio and Single CD player with 4 speakers
- USB & AUX input
- Steering wheel mounted audio controls
- Hill Hold Assist
- Tyre Pressure Monitoring System
- Thatcham accredited Alarm and Immobiliser

OPTIONS:

- Metallic / Mica / Pearlescent paint





Manual Air-Conditioning

Allows you to easily adjust the temperature of the interior to your desired setting.



Heated Auto Power-Folding Door Mirrors

A key feature for parking in crowded city streets, automatically folds and unfolds your mirrors when you lock or unlock your car.



Remote Central Locking

Key fob provides remote central locking with deadlocks for security, as well as keyless engine start/stop.



15" Alloy Wheels

Dynamic and stylish alloy wheels give your vehicle a sense of sportiness, power and stability.

SE-L+ / SE-L NAV+

IN ADDITION TO 75PS SE+ GRADE,
75PS SE-L+ ADDS:

- Dusk-sensing lights
- Rain-sensing front wipers
- Rear parking sensors
- LED front fog lights
- Leather steering wheel and gear knob
- Cruise Control
- Adjustable speed limiter
- Climate control air-conditioning
- Integrated Bluetooth®

IN ADDITION TO 75PS SE-L+ GRADE,
90PS SE-L NAV+ ADDS:

- 7" Colour touch-screen display
- Internet app integration for internet radio, Facebook and Twitter*
- DAB Radio
- Integrated Navigation System with 3-years free European map updates
- Multimedia Commander
- Lane Departure Warning System
- Smart City Brake Support
- Drive Selection Switch (Automatic Transmission only)

OPTIONS:

- Metallic / Mica / Pearlescent paint



*With compatible mobile device. Data usage and costs will vary. Please refer to the footnote on the Audio and Communication specification table for more information.



Climate Control Air-Conditioning

Provides a comfortable driving environment with stylish satin chrome dial trim.



Rear Parking Sensors

Detects obstructions around the vehicle when manoeuvring or parking, by sounding an audible warning.



LED Front Fog Lights

Increases visibility when driving in adverse weather conditions and enhances the sleek styling of the car.



Multimedia Commander

Located between the driver and front passenger, the Multimedia Commander allows you to operate the infotainment and connectivity system with minimal effort. It includes a separate volume dial for easy adjustment, ensuring you can concentrate on enjoying the drive. (Not available on 75ps SE-L+ models)

SPORT NAV+

STANDARD FEATURES IN ADDITION
TO 90PS SE-L NAV+ GRADE:

- 16" Gunmetal alloy wheels
- Privacy glass
- Shark fin antenna
- Chrome exhaust trim
- Black sports cloth trim
- Smart keyless entry system
- Additional USB port
- Additional 2 speakers
- Paddle shift (Automatic Transmission only)

OPTIONS:

- Metallic / Mica / Pearlescent paint





Black Sports Cloth Trim

Adds a distinctive touch to the interior, giving it a dynamic yet elegant look.



16" Gunmetal Alloy Wheels

Dynamic and stylish wheels give your vehicle a sense of power and stability.



7" Colour Touch-screen Display

A large 7" colour touch-screen display coupled with the intuitive Multimedia Commander, provides you with safe and easy fingertip access to all vehicle information, settings, navigation and entertainment.



Shark Fin Antenna

The shark fin antenna cuts down on drag while keeping audio crisp and clear. (Model shown features Accessory Brilliant Black rear roof spoiler available at additional cost).

GT SPORT NAV+

STANDARD FEATURES IN ADDITION TO 90PS SPORT NAV+:

- 16" Silver alloy wheels
- LED headlights
- LED daytime running lights
- Black Leather seats with suede inserts
- Heated front seats
- Colour Active Driving Display
- Reversing camera

OPTIONS:

- Metallic / Mica / Pearlescent paint
- Light Stone leather interior with black inserts





Black Leather Seats with Suede Inserts

Adds to the premium feel inside Mazda2 GT Sport Nav+ interior, making it a comfortable environment for the occupants.



LED Headlights

Be seen with Mazda's Signature LED daytime running lights, designed to ensure you get noticed for all the right reasons, providing the car with a powerful presence on the road.



Colour Active Driving Display

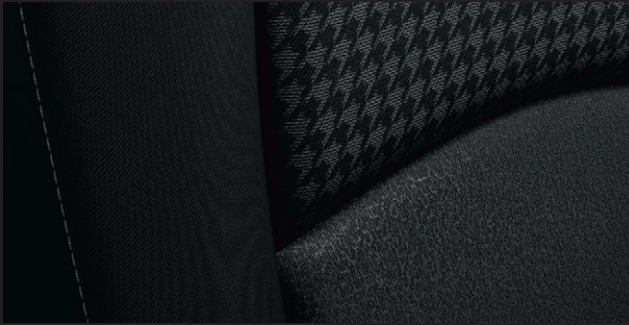
Projects essential driving information including speed, turn by turn navigation and emergency warnings via a colour head-up display positioned close to the driver's line of sight.



Reversing Camera

Helps guide you when reversing into a parking space. Parking has never been easier.

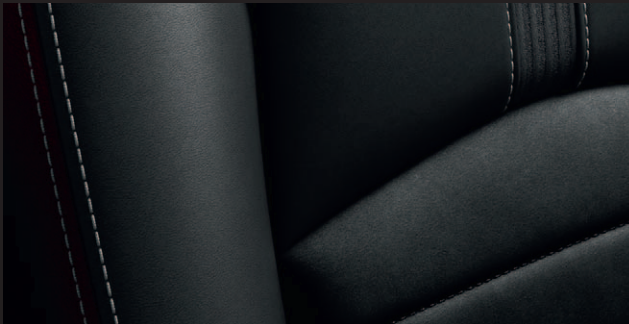
TRIMS



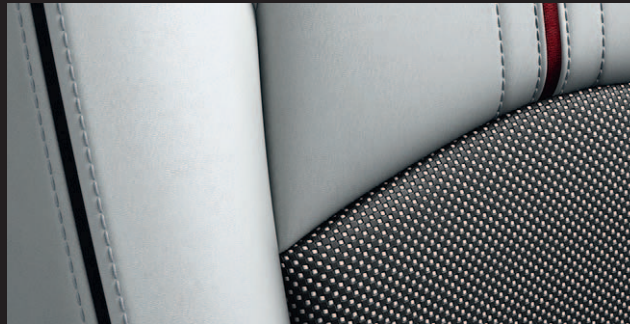
BLACK CLOTH (SE+ / SE-L+ / SE-L NAV+)



BLACK SPORTS CLOTH (SPORT NAV+)



BLACK LEATHER SEATS WITH SUEDE INSERTS
(GT SPORT NAV+)



LIGHT STONE LEATHER WITH BLACK INSERTS
(OPTIONAL ON GT SPORT NAV+
AT ADDITIONAL COST)

WHEELS



15" SILVER ALLOY
WHEEL



16" GUNMETAL ALLOY
WHEEL



16" SILVER ALLOY
WHEEL

ACCESSORIES

Make your Mazda2 uniquely yours. Whichever model you choose there's a long list of genuine Mazda accessories to help make your idea of perfection. From individual items to a complete sports styling package, your local Mazda dealer will give you all the information you need.



BODY DECALS



SOUL RED METALLIC REAR UNDER SKIRT



LUXURY CARPET FLOOR MATS



ILLUMINATED SCUFF PLATES



ROOF RACK



RED ALLOY WHEEL DECALS
(AVAILABLE ON 16" ALLOY
WHEELS)



15" DARK GUNMETAL ALLOY
WHEELS



15" SILVER ALLOY WHEELS



15" ANTHRACITE ALLOY
WHEELS



MODEL SHOWN IS MAZDA2 115PS GT SPORT NAV+ WITH OPTIONAL MACHINE GREY METALLIC PAINT AND ACCESSORY BRILLIANT BLACK REAR ROOF SPOILER AVAILABLE AT ADDITIONAL COST.

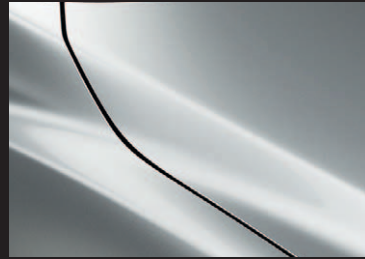
COLOURS



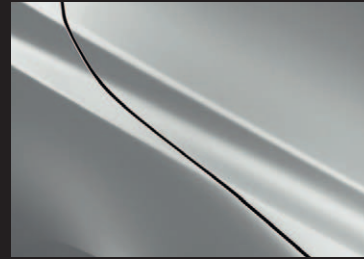
ARCTIC WHITE SOLID



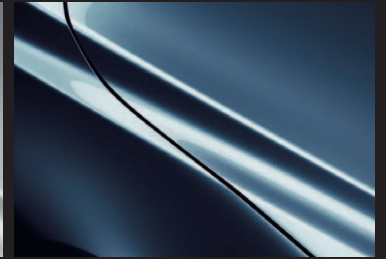
SNOWFLAKE WHITE PEARLESCENT



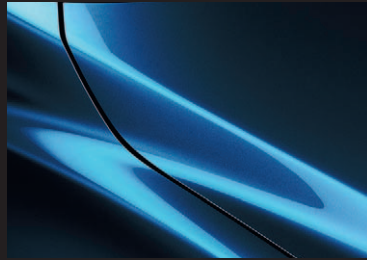
SONIC SILVER METALLIC



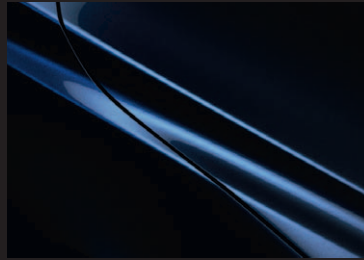
CERAMIC METALLIC



ETERNAL BLUE MICA



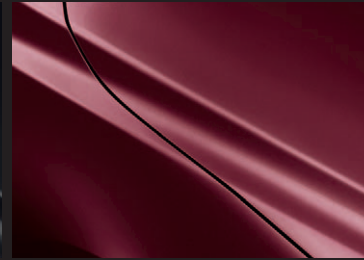
DYNAMIC BLUE MICA



DEEP CRYSTAL BLUE MICA



JET BLACK MICA



DEEP CRIMSON MICA



MACHINE GREY METALLIC



SOUL RED CRYSTAL METALLIC

Solid, Metallic, Mica and Pearlescent Colours

Model	Arctic White Solid (A4D)	Snowflake White Pearlescent (25D)	Sonic Silver Metallic (45P)	Ceramic Metallic (47A)	Eternal Blue Mica (45B)	Dynamic Blue Mica (44J)	Deep Crystal Blue Mica (42M)	Jet Black Mica (41W)	Deep Crimson Mica (45R)	Machine Grey Metallic (46G)	Soul Red Crystal Metallic (46V)
SE+	●	○	○	○	○	○	○	○	○	○	○
SE-L+ / SE-L Nav+	●	○	○	○	○	○	○	○	○	○	○
Sport Nav+	●	○	○	○	○	○	○	○	○	○	○
GT Sport Nav+	●	○	○	○	○	○	○	○	○	○	○

● = Available; ○ = Available at additional cost.

SPECIFICATIONS

Model Availability	1.5 Skyactiv-G Petrol 75ps Manual	1.5 Skyactiv-G Petrol 90ps Manual	1.5 Skyactiv-G Petrol 90ps Automatic	1.5 Skyactiv-G Petrol 115ps Manual
SE+	●	–	–	–
SE-L+ / SE-L Nav+	● ¹⁾	● ²⁾	● ²⁾	–
Sport Nav+	–	●	●	–
GT Sport Nav+	–	●	–	●

● = available, – = not available. ¹⁾ Available as SE-L+ only ²⁾ Available as SE-L Nav+ only

Engine Type				
Displacement (cc)	1,496	1,496	1,496	1,496
Bore x stroke (mm)	74.5 x 85.8	74.5 x 85.8	74.5 x 85.8	74.5 x 85.8
Valves per cylinder	4	4	4	4
Maximum output (ps (Kw) / rpm)	75 (55) / 6,000	90 (66) / 6,000	90 (66) / 6,000	115 (85) / 6,000
Maximum torque (Nm / rpm)	135 / 3,800	148 / 4,000	148 / 4,000	149 / 4,000
Compression ratio	13.0:1	13.0:1	13.0:1	14.0:1
I-Stop	●	●	●	●

Transmission				
Type	5-speed manual	5-speed manual	6-speed automatic	6-speed manual
Gear ratios:	1 st	3.583	3.583	3.529
	2 nd	1.904	1.904	2.025
	3 rd	1.218	1.218	1.348
	4 th	0.918	0.918	1.000
	5 th	0.717	0.717	0.742
	6 th	–	–	0.594
	Reverse	3.454	3.454	2.994
Final gear ratio	3.619	3.619	4.319	4.388

Steering	Electronic Power Assist System (EPAS) rack-and-pinion			
Steering gear	Electronic Power Assist System (EPAS) rack-and-pinion			
Minimum turning circle (kerb to kerb) (m) ¹⁾	4.7	4.7 (4.9)	4.7 (4.9)	4.9

Performance and Economy				
Acceleration (0-62 mph in sec)	11.3	9.7	12.0	9.0
Top speed (mph)	106	114	110	124
EC emission level	EC Stage 6d-TEMP			
Recommended fuel	Unleaded 95 RON			
Fuel tank capacity (litres)	44	44	44	44
CO ₂ emissions (g/km) ²⁾	111	111	118	127

WLTP Values				
Fuel consumption ²⁾ [mpg (l / 100 km)]:	Low	42.2 (6.7)	42.2 (6.7)	37.7 (7.5)
	Medium	55.4 (5.1)	55.4 (5.1)	51.4 (5.5)
	High	57.6 (4.9)	57.6 (4.9)	55.4 (5.1)
	Extra High	46.3 (6.1)	46.3 (6.1)	44.8 (6.3)
	Combined	49.6 (5.7)	49.6 (5.7)	47.9 (5.9)

● = Standard

¹⁾ Figures in brackets refer to models with 16" alloy wheels only.

²⁾ Figures shown are for comparability purposes; only compare fuel consumption and CO₂ figures with other cars tested to the same technical procedures. These figures may not reflect real life driving results, which will depend upon a number of factors including the accessories fitted (post-registration), variations in weather, driving styles and vehicle load.

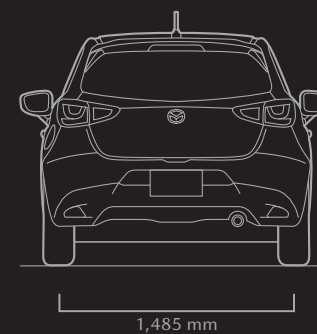
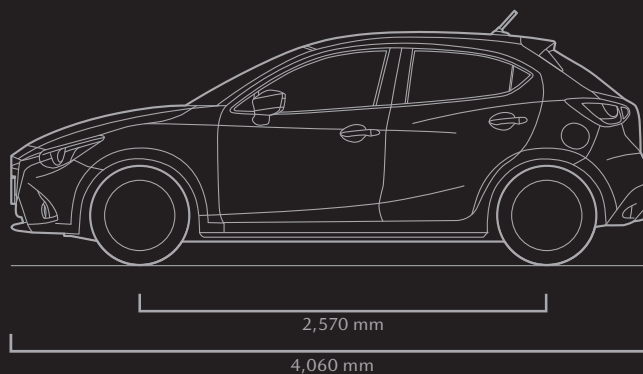
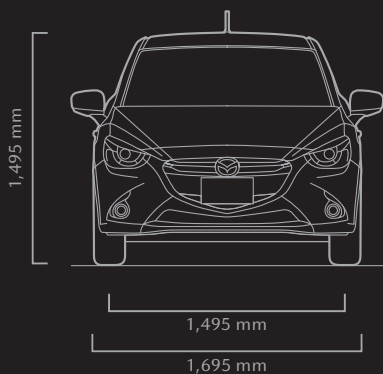
There is a new test used for fuel consumption and CO₂ figures. The CO₂ figures shown however, are based on the outgoing test cycle and will be used to calculate vehicle tax on first registration.

Dimensions and Weights

		1.5 Skyactiv-G Petrol 75ps Manual	1.5 Skyactiv-G Petrol 90ps Manual	1.5 Skyactiv-G Petrol 90ps Automatic	1.5 Skyactiv-G Petrol 115ps Manual
Overall length / width ¹⁾ / height (mm)		4,060 / 1,695 / 1,495			
Wheelbase (mm)		2,570			
Ground clearance (mm) between the axles - unladen		143			
Front track / rear track (mm)		1,495 / 1,485			
Front headroom / legroom / shoulder room (mm)		984 / 1,063 / 1,352			
Rear headroom / legroom / shoulder room (mm)		945 / 881 / 1,273			
Cargo volume, acc. to VD (including under floor storage space) (litres):	5-seat mode (to belt line)	280	280	280	280
	2-seat mode	950	950	950	950
Kerb weight (kg) incl. driver (75 kg)		1,110	1,120	1,135	1,120
Permitted gross vehicle weight (kg):	Total	1,496	1,510	1,530	1,507
	Front / rear	769 / 727	775 / 735	803 / 727	778 / 729
Permitted axle load, front and rear (kg):		792 / 780	798 / 787	826 / 780	801 / 782
Towing limit (kg) ²⁾ :	Braked (12% gradient)	900	900	900	900
Maximum roof load (kg)		50	50	50	50

¹⁾ Vehicle width excludes wing mirrors.

²⁾ Towing capacity is based on a 12% gradient and tested in accordance with 92/21/EEC as amended by 95/48/EC.



SPECIFICATIONS

Body, Chassis and Suspension		SE+	SE-L+ / SE-L Nav+	Sport Nav+	GT Sport Nav+
Self-supporting rigid and torsion-resistant all-steel body with defined crush zones for the front and rear sections, stable passenger safety cell with side impact reinforcement in the doors		●	●	●	●
Supplementary Restraint System (SRS) comprising central control unit and crash sensors, seat pre-tensioners, load-limiters and airbag system		●	●	●	●
Front:	Independent suspension with twin-tube dampers and MacPherson struts	●	●	●	●
Rear:	Torsion-beam suspension with twin-tube dampers	●	●	●	●
Safety and Security					
Skyactiv-Body engineered 'triple H' body structure to help protect occupants from impact forces		●	●	●	●
Dynamic Stability Control (DSC) with Traction Control System (TCS)		●	●	●	●
Smart City Brake Support (SCBS)	Front only	—	● ¹⁾	●	●
Lane Departure Warning System (LDWS)		—	● ¹⁾	●	●
Hill Hold Assist (HHA)		●	●	●	●
Emergency Stop Signalling System (ESS)		●	●	●	●
Tyre Pressure Monitoring System (TPMS)		●	●	●	●
Dual front airbags		●	●	●	●
Front side airbags		●	●	●	●
Front and rear curtain airbags		●	●	●	●
Passenger airbag cut-off switch		●	●	●	●
Seatbelts:	Front, 3-point (ELR) x 2 with pre-tensioners	●	●	●	●
	Rear, 3-point (ELR) x 2 with pre-tensioners	●	●	●	●
	Audible warning (driver, passenger and rear seats)	●	●	●	●
ISOFIX child seat anchorage, attached to outer rear seats		●	●	●	●
Thatcham Accredited Alarm and Immobiliser system		●	●	●	●

● = Standard; — = Not available

¹⁾ Not available on 75ps SE-L+ models.

Exterior		SE+	SE-L+ / SE-L Nav+	Sport Nav+	GT Sport Nav+
Tyres and wheels:	185 / 65 R15 with 15" alloy wheels	●	●	–	–
	185 / 60 R16 with 16" Gunmetal alloy wheels	–	–	●	–
	185 / 60 R16 with 16" Silver alloy wheels	–	–	–	●
Emergency tyre repair kit	●	●	●	●	
Metalllic / Mica / Pearlescent paint	○	○	○	○	
Privacy glass:	Rear and rear side windows	–	–	●	●
Front grille insert:	Dark grey metallic	–	–	●	●
Wipers:	Front, adjustable speed with intermittent wipe	●	–	–	–
	Front, rain-sensing wipers	–	●	●	●
	Rear, adjustable speed with intermittent wipe	●	●	●	●
Headlights:	Halogen, with manual headlight levelling	●	●	●	–
	Halogen daytime running lights	●	●	●	–
	LED headlights with LED daytime running lights	–	–	–	●
	Dusk-sensing lights	–	●	●	●
	Coming home / leaving home lights	●	●	●	●
LED front fog lights	–	●	●	●	
Parking sensors:	Rear (with audible warning only)	–	●	●	●
Shark-fin antenna		–	–	●	●
Door mirrors:	Electrically-adjustable, heated auto power-folding mirrors with integrated indicator lights	●	●	●	●

● = Standard; ○ = Option at extra cost; – = Not available

Additional Exterior Options

Mudflaps:	Front
	Rear
Front airdam skirt:	Brilliant Black
Side airdam skirt:	Brilliant Black
Rear under garnish:	With Soul Red accent
Rear roof spoiler:	Brilliant Black
Alloy wheel decals:	Red
Decals	
Roof carrier system:	Roof rack
	Ski / Snowboard attachment
	Ranger roof box 90
Tow bar:	Detachable
	Attachment for bicycles

Please contact your dealer for further information and availability

SPECIFICATIONS

Interior Features		SE+	SE-L+ / SE-L Nav+	Sport Nav+	GT Sport Nav+
Seats:	Driver's seat, manual slide, recline and height adjustment	●	●	●	●
	Front passenger's seat, manual slide and recline adjustment	●	●	●	●
	Front passenger's seat, height adjustment	–	●	●	●
	Black cloth trim	●	●	–	–
	Black sports cloth trim	–	–	●	–
	Black leather seats with suede inserts, heated front seats ¹⁾	–	–	–	●
	Light Stone, heated leather front seats ¹⁾	–	–	–	○ ²⁾
Rear seats:	Three height-adjustable head restraints	●	●	●	●
	60:40 split fold down rear seats	●	●	●	●
Steering wheel:	Leather-wrapped	–	●	●	●
	Telescopic and tilt adjust	●	●	●	●
	Paddle shift for automatic transmission	–	–	● ³⁾	–
Gear knob:	Leather-wrapped	–	●	●	●
Handbrake:	Leather-wrapped	–	●	●	●
Dashboard panel:	Black Gloss	●	●	–	–
	Black, soft-touch	–	–	●	–
	Brown, soft-touch	–	–	–	●
	Light Stone, soft-touch	–	–	–	○ ²⁾
Grab handles	Front passenger's and two rear with coat hooks	●	●	●	●
Storage spaces:	Glovebox	●	●	●	●
	Seatback pocket (front passenger)	●	●	●	●
	Door pockets (driver, front passenger)	●	●	●	●
Meter set display	Trip computer	●	●	●	●
	Analogue speedometer	●	●	●	–
	Digital speedometer	–	–	–	●
Interior courtesy light, with integrated spotlight	●	●	●	●	
Luggage compartment:	Light	●	●	●	●

Additional Interior Options

Front centre armrest	
Alloy pedal set	Aluminium
Front and rear floor mats:	Carpet floor mat (luxury) Mazda2 logo
Welcome illumination	For front footwell (driver and passenger side)
Scuff plate:	Front stainless steel with Mazda2 logo
Baby and child seats	Isfix child seat

Please contact your dealer for further information and availability.

● = Standard; – = Not available; ○ = Option available at additional cost.

¹⁾ Leather refers to centre seat facing and side supports.

²⁾ Option available on GT Sport Nav+ models at additional cost.

³⁾ Available on Sport Nav+ Auto only.

Comfort and Convenience		SE+	SE-L+ / SE-L Nav+	Sport Nav+	GT Sport Nav+
Remote central locking with deadlocking		●	●	●	●
Smart keyless entry:	Allows opening and locking of the vehicle without removing the key from your pocket or bag	–	–	●	●
Engine start / stop button		●	●	●	●
Gear-shift indicator		●	●	●	●
Cruise control:	With manual speed adjustment	–	●	●	●
Adjustable speed limiter:	Vehicle speed can be limited to between 20-125 mph, and speed cannot be exceeded without deactivating the limiter	–	●	●	●
Electric windows:	Front and rear, with one-touch auto down / up for driver's window	●	●	●	●
Air conditioning:	Manual	●	–	–	–
	Climate control	–	●	●	●
Sun visors:	Driver's and front passenger's with covered vanity mirrors and driver's ticket holder	●	●	●	●

Audio and Communication

Multimedia Commander:	Located between the driver and the front passenger, the Multimedia Commander allows easy control of the advanced connectivity and infotainment system, with information displayed on the 7" colour touch-screen display, includes a separate volume control dial	–	● ¹⁾	●	●
Mazda Multimedia System:	AM / FM radio, single CD / MP3 audio system with 4 speakers	●	● ²⁾	–	–
	AM / FM / DAB radio, single CD / MP3 audio system with 4 speakers	–	● ¹⁾	–	–
	AM / FM / DAB radio, single CD / MP3 audio system with 6 speakers	–	–	●	●
	7" Colour touch-screen display	–	● ¹⁾	●	●
	Steering wheel-mounted audio controls	●	–	–	–
	Steering wheel-mounted audio and Bluetooth® controls ³⁾	–	●	●	●
	Auxilliary (AUX) and USB input	●	● ²⁾	–	–
Auxilliary (AUX) and 2 USB inputs	–	● ¹⁾	●	●	
Mazda Navigation System:	European mapping with alternative route calculations, point of interest search and 3-years free map updates	–	● ¹⁾	●	●
	Premium Connected Services including live traffic and weather information, fuel prices and local search ⁴⁾	–	○ ¹⁾	○	○
Integrated Bluetooth®	Allows hands-free calling	–	● ²⁾	–	–
	Allows hands-free calling and easy access to phone contacts via touch-screen or commander	–	● ¹⁾	●	●
	Audio transfer from Bluetooth® devices	–	● ¹⁾	●	●
	Aha™ app and Stitcher™ app integration for internet radio, Facebook and Twitter functionality ⁵⁾	–	● ¹⁾	●	●

● = Standard; – = Not available; ○ = Option available at additional cost.

¹⁾ Not available on 75ps SE-L+ models.

²⁾ 75ps SE-L+ models only.

³⁾ Please refer to www.mazdahandsfree.co.uk for the latest information regarding compatibility and functionality of mobile devices.

⁴⁾ Connected Services are a subscription service. A 60-day free trial is included with your navigation system and commences the first time you connect your car to a Wi-Fi hotspot. After the free trial has finished you must purchase a subscription to continue using Connected Services. Please contact your dealer or visit www.mazda.co.uk/mzd-connect/navigation for further information.

⁵⁾ Requires a compatible mobile device. Aha™/Stitcher™ apps need to be downloaded to mobile device and app registration completed before connection. Data usage and costs will vary, please contact your network for more information. Please speak to your local Mazda dealer or visit www.mazda.co.uk/mzd-connect for more information.

OUR COMMITMENT TO YOU AND YOUR MAZDA

My Mazda App

Designed exclusively for Mazda owners, it lets you access important vehicle information, as well as being able to locate your nearest Mazda dealer and track your vehicle service history.

Service and Warranties

Just like the cars themselves, the services we offer are designed to provide you with a first-class ownership experience. Every new vehicle is covered by a 3-year warranty for up to 60,000 miles, including a 3-year paintwork warranty, and a 12-year perforation warranty. We also offer Extended Warranties to extend the cover for your Mazda. Mazda Roadside Assistance offers cover in the event you require breakdown assistance, your vehicle is stolen or is involved in an accident.

The maximum service interval for your Mazda is 12,500 miles or 12 months whichever occurs first, however, the servicing intervals may reduce based on the style of driving and the conditions under which your vehicle is operated.

Free Mazda Accident Aftercare

Mazda Accident Aftercare is designed to assist you following a road traffic accident. Call Mazda First after an accident and they will liaise directly with your insurer to process the claim and ensure that your vehicle is repaired at a Mazda approved bodyshop using only genuine Mazda parts, additional benefits include providing you with a free courtesy car and maintaining your Mazda warranties.

Our commitment to you and your Mazda

Mazda makes cars that excite, look beautiful, are fun to drive and make you want to drive them again and again. We are passionate about delivering complete motoring confidence and a first-rate ownership experience.

Finance

As well as vehicle warranty and service plans, we offer finance packages to help ensure a rewarding ownership experience. Mazda Financial Services provides a variety of finance products to suit the needs of both private and business customers.

What you can expect from Mazda Financial Services:

- Assistance in renewing your car. We'll help you choose the right finance package to enable you to renew your Mazda as often as you would ideally like
- Fixed Interest Rates. The interest rate on your loan is fixed for the duration of the agreement
- Flexible terms tailored to your motoring needs. As specialists in Mazda vehicles we aim to tailor a finance package to both your budget and your motoring / ownership needs

Please ask your Sales Executive for a tailor-made finance quote for your new car.

Mazda Financial Services finance plans:

Mazda Conditional Sale:

The traditional way of buying your car. Mazda Conditional Sale is a simple way of financing that provides you with certainty due to a fixed interest rate and fixed monthly repayments throughout the agreement. Your initial deposit and repayment period can be structured to help meet your budget and the length of time you expect to keep the car. You can trade in your existing vehicle and put this towards the initial deposit, or if you wish, just put down a cash deposit. At the end of your contract, when all repayments have been made, the car is yours.



Mazda Personal Contract Purchase:

The finance plan that could help you change your Mazda car at more regular intervals.

Personal Contract Purchase is similar to a Conditional Sale agreement but with additional flexibility since part of the vehicle cost is deferred until the end of the agreement which may give you the benefit of lower monthly repayments. The deferred amount is known as the Guaranteed Future Value or Optional Final Payment.

At the end of your contract, when all repayments have been made, you then have three options:

- **Renew:** Choose another Mazda. Use any excess value above the Optional Final Payment towards a deposit for another Mazda. You can trade in your car at any time or sell it privately having settled your account
- **Retain:** Keep the car. Simply pay the Optional Final Payment, and the car is yours
- **Return your car:** There's nothing more to pay if the car's in good condition and within the agreed mileage

Mazda Contract Hire

Mazda Financial Services Contract Hire offers low running costs with market-driven residual values, resulting in extremely competitive costs for businesses and individuals. To find out more about the benefits of Mazda Financial Services Contract Hire, please speak to your Mazda dealer or visit www.mazda.co.uk.

For further information, please visit

<http://www.mazda.co.uk/buying-owning/buying/personal-finance/>

Finance subject to status. Terms and conditions apply. 18s and over. Guarantee may be required. Mazda Financial Services RH1 1SR.

Customer Experience

Start your journey with Mazda using the Configurator on the Mazda website. It lets you customise a digital vehicle, letting you choose from a selection of engines, trims, exterior colours and accessories. Discover the benefits of becoming part of the community that defies convention with My Mazda - the online home for all Mazda owners. The service lets you view and update your personal information using the Mazda Digital Service Record (DSR), which provides security against counterfeit service documents and guarantees a secure, accurate and permanent service history for the life of the vehicle. You can also explore Facebook, Twitter and YouTube for even more Mazda related material. Whatever journey you take with Mazda, we'll make sure it's a unique and gratifying experience.

Skyactiv Technology - helping you stay efficient

We develop exciting cars that are fun to drive, and we are equally committed to the environment for the creation of a sustainable future for all. Our on going sustainability programmes are dedicated to the development of clean technologies. Our Skyactiv Technology range includes engines, transmissions, chassis and body designs, which deliver fuel-efficient driving. Our engines deliver the perfect combination of performance and improved driving economy by being lighter and more fuel efficient than many of our competitors.

Looking for more information?

Learn more about our dedication to delivering a unique customer experience online at:



www.mazda.co.uk



facebook.com/mazdauk



twitter.com/mazda_uk



youtube.com/mazdauk

Mazda Motors UK reserves the right to introduce changes in specification and equipment due to its ongoing product development. Colour and trim samples shown in this brochure may vary from the actual colours because of the limitations of the printing process. Models shown may not be to UK specification. It is recommended that you consult your Mazda dealer when referring to these.

Facebook, Twitter, iPod®, Stitcher™, aha™ and Bose® are registered trademarks in the U.S. and other countries. Used with permission.

The Bluetooth® word mark and logos are owned by the Bluetooth SIG, Inc. and any use of such marks by Mazda Motor Company is under licence. Other trademarks and trade names are those of their respective owners.

January 2019
Part Number: 810079253

Internet: www.mazda.co.uk
Mazda Helpline: 03457 48 48 48
UK-EN / C1 / NVI-2018

